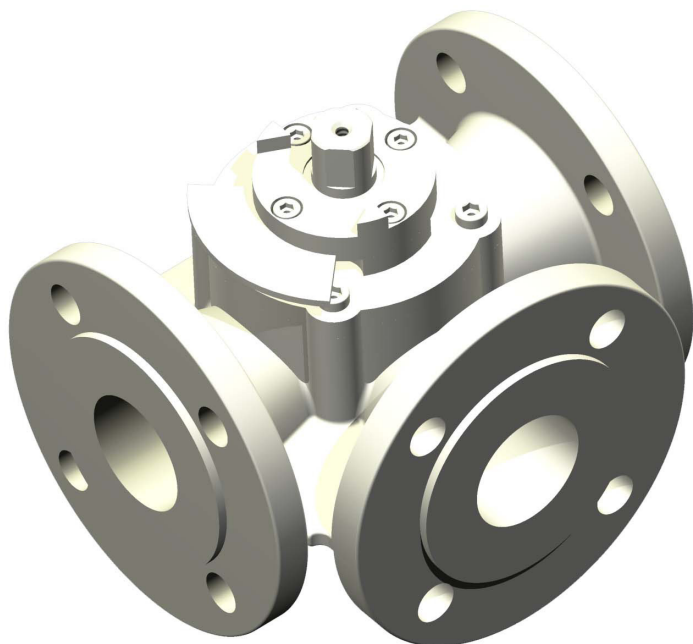


Mischarmatur

Mixing valve

ADR

- **3-Wege Misch- oder Mengenregelarmatur**
- **Doppelte O-Ring-Abdichtung**
- **Medium: Heizungswasser, Glycol-Wassergemisch**
- 3-way mixing or regulating valve
- Double O-ring sealing
- Medium: Heating water, water glycol



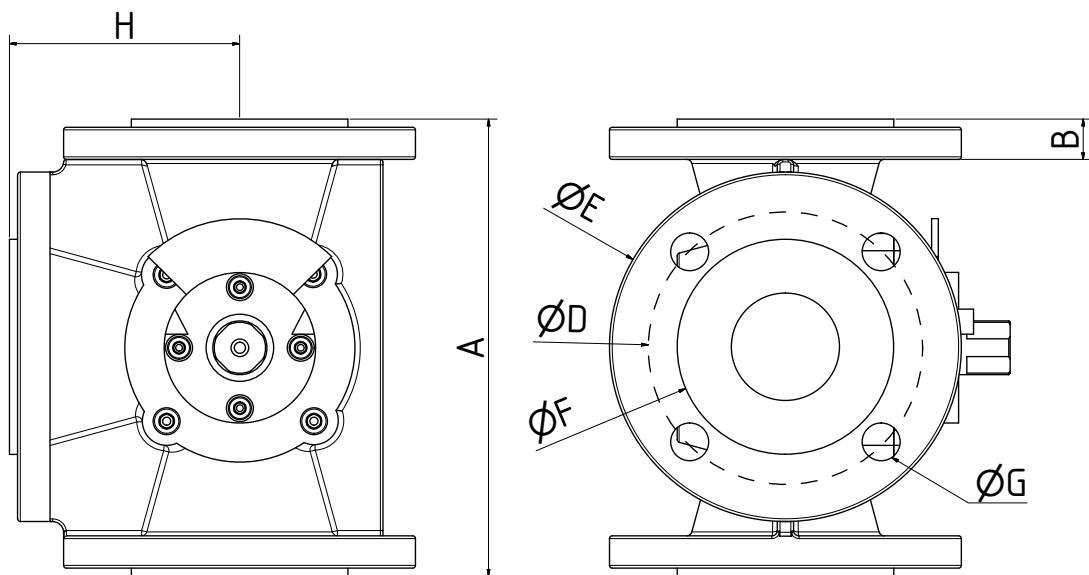
| | |
|---|--|
| Medientemperatur Media temperature | +2 °C...+130 °C |
| Anschluss Connection | Flansche nach DIN 2631 Flanges acc. DIN 2631 |
| Manuell Manual operated | • |
| Elektrisch Electrical | IL/CL |
| Pneumatisch Pneumatical | • |
| Nennndruck Nominal pressure | PN 6 |
| Durchflusscharakteristik Flow characteristics | Gleichprozentig Equal percentage |
| kvs-Werte kvs values | 0,6...40 m ³ /h |
| Leckrate Leakage | <1% |
| Material Material | |
| Gehäuse Housing | GG 20 |
| Drehschieber Rotary gate | GG 20 verchromt GG 20 chrome plated |

| DN | kvs [m ³ /h] | |
|-----|----------------------------|----------|
| | | kvs max. |
| 20 | | 6,3 |
| 25 | | 10 |
| 32 | | 16 |
| 40 | | 25 |
| 50 | | 40 |
| 65 | | 63 |
| 80 | | 100 |
| 100 | | 160 |
| 125 | | 250 |
| 150 | | 630 |
| 200 | | 1600 |

Mischarmatur

Mixing valve

ADR



| DN | A | B | C | D | E | F | G | H | kg |
|-----|-----|----|-----|-----|-----|-----|------|-----|------|
| 20 | 140 | 15 | 179 | 65 | 90 | 50 | 4x11 | 70 | 3,5 |
| 25 | 150 | | 179 | 75 | 100 | 60 | | 75 | 4,0 |
| 32 | 160 | 17 | 188 | 90 | 120 | 70 | 4x14 | 80 | 6,6 |
| 40 | 170 | 16 | 188 | 100 | 130 | 80 | | 85 | 7,1 |
| 50 | 190 | | 202 | 110 | 140 | 90 | | 95 | 9,8 |
| 65 | 210 | 18 | 219 | 130 | 160 | 110 | 4x18 | 105 | 12,3 |
| 80 | 250 | | 219 | 150 | 190 | 128 | | 125 | 21,4 |
| 100 | 270 | 20 | 240 | 170 | 210 | 148 | 8x18 | 135 | 26,5 |
| 125 | 310 | | 267 | 200 | 240 | 178 | | 155 | 42,0 |
| 150 | 330 | 22 | 274 | 225 | 265 | 202 | 8x18 | 165 | 49,0 |
| 200 | 390 | | 314 | 280 | 320 | 258 | | 195 | 73,0 |

Maße in mm / Änderungen vorbehalten
 Dimensions in mm / Subject to change

