

Kugelhähne

Ball valves

KH 014

KH 015

- **Edelstahlkugelhahn, 2-teilig**
- **Ausblassichere Spindel**
- **Kugel mit vollem Durchgang**

- *Stainless steel ball valve, 2-piece design*
- *Blow-out proof stem*
- *Full-port design ball*

Medientemperatur <i>Media temperature</i>	-25 °C...+180 °C
---	------------------

Anschluss <i>Connection</i>	DIN 2999
---------------------------------------	----------

Baulänge <i>Length</i>	DIN 3202 T4 (M3)
----------------------------------	------------------

Manuell (KH014) <i>Manual operated</i>	•
--	---

Elektrisch (KH015) <i>Electrical</i>	IL/CL
--	-------

Pneumatisch (KH015) <i>Pneumatical</i>	PD/PE
--	-------

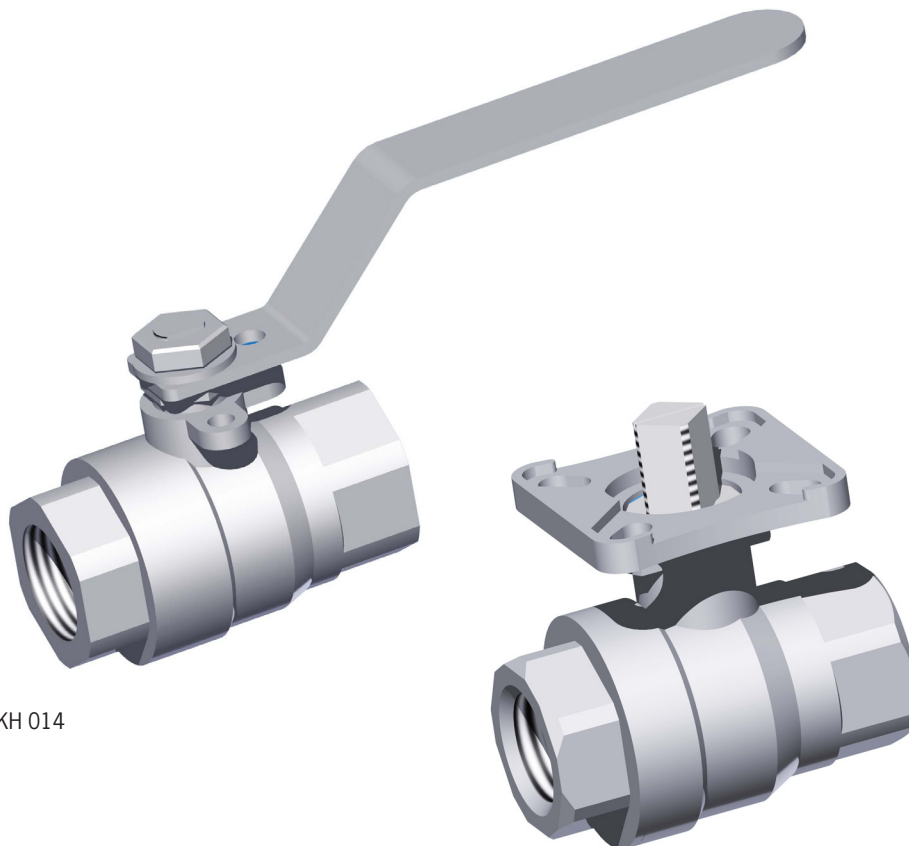
Max. Betriebsdruck <i>Max. operating pressure</i>	PN 63
---	-------

Material <i>Material</i>	
------------------------------------	--

Gehäuse <i>Housing</i>	1.4401
----------------------------------	--------

Kugel <i>Ball</i>	1.4401
-----------------------------	--------

Dichtung <i>Sealing</i>	PTFE + 15% Graphite
-----------------------------------	---------------------



KH 014

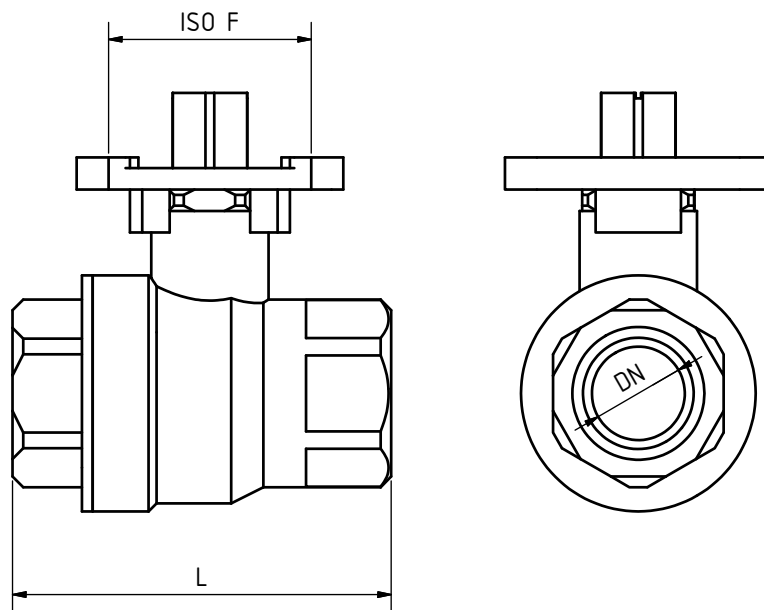
KH 015



Kugelhähne

Ball valves

KH 014
KH 015



DN		L	ISO F... (KH015)
8	1/4"	50	03
10	3/8"	50	
15	1/2"	55	04
20	3/4"	75,5	04/05
25	1"	83	
32	1 1/4"	91	05/07
40	1 1/2"	102	
50	2"	120	
65	2 1/2"	155	07/10
80	3"	182	

Maße in mm / Änderungen vorbehalten
Dimensions in mm / Subject to change

